



Proportional Valve

SPV-38U-C

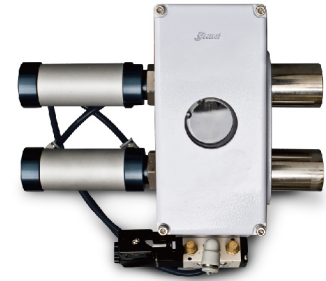
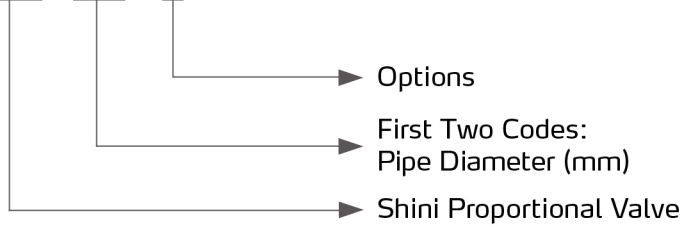


Refer carefully to this manual before operation.

SPV-U Series

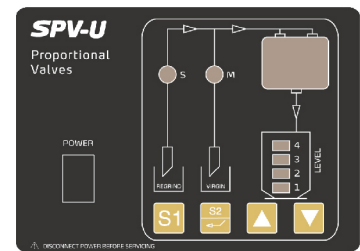
■ Coding Principle

SPV - xxU - X



■ Features

- Classy appearance, easy installation and operation.
- Unique design of valve body makes material conveying more smooth.
- The performance of solenoid valve is so stable that the air cylinder acts accurately to ensure a proportional mixing of new and regrind materials.
- Equipped with 1~4 levels working function selection, making material mixing more evenly.

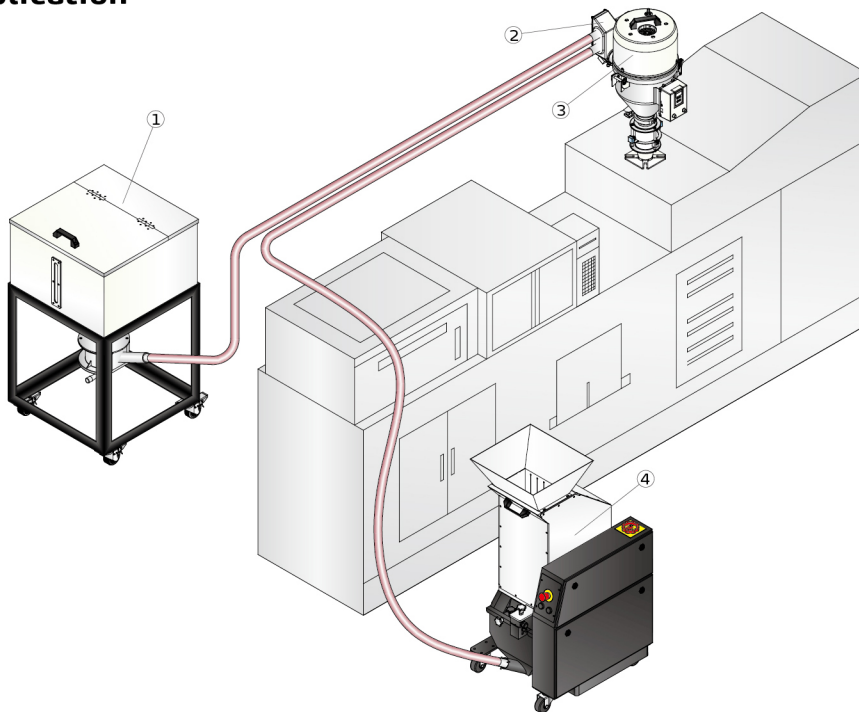


Control Panel

■ Options

- Control cabinet can be an option. Add "C" at the end of model code.

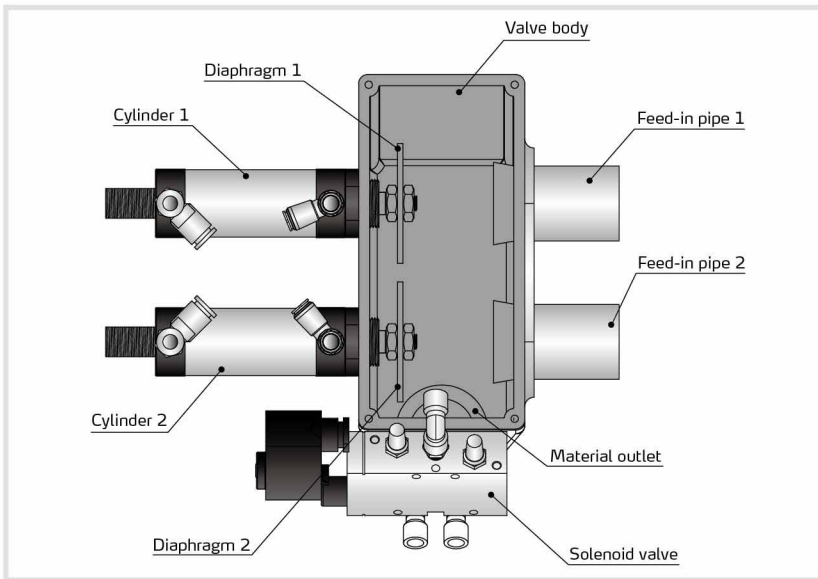
■ Application



1. Material storage tank
2. Proportional valve
3. "Standard" self-contained hopper loaders
4. Low-speed granulator

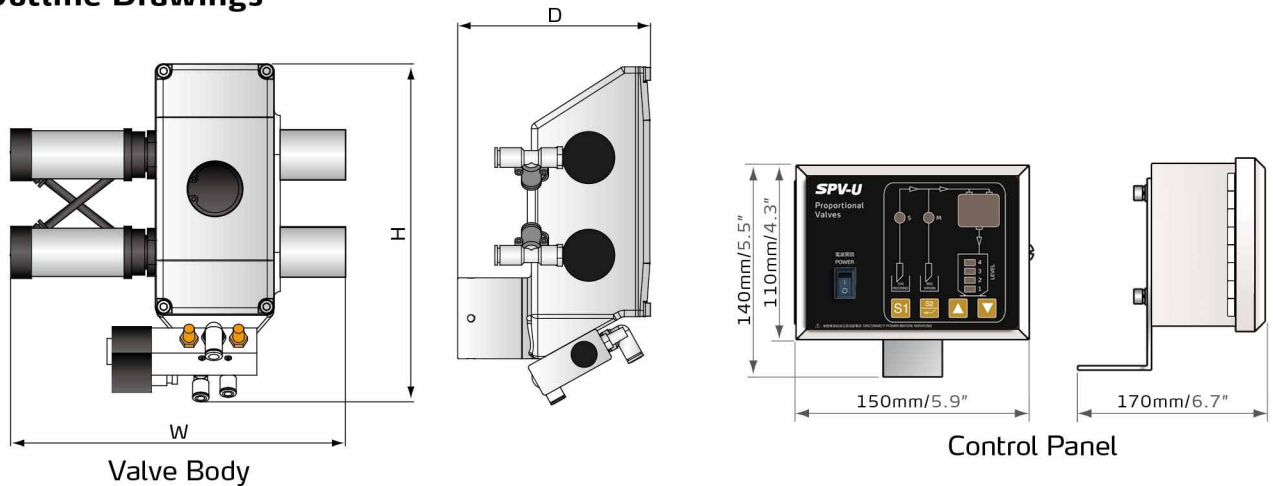
SPV-U Series

Working Principle



After material loading time and the proportion of secondary material have been set, the cylinder tank will control the feeding proportion of new materials and secondary materials in hopper by driving opening & closing and start time of conical diaphragm 1 and 2 so as to accomplish the proportioned mixing.

Outline Drawings



Specifications

Model	Compressed Air Pressure	Driven Means	Maximum Material Flow	Pipe Size (inch)	Dimensions H x W x D		Weight	
					mm	inch	kg	lb
SPV-38U-(C)	3kgf/cm ²	Cylinder	350kg/hr	1.5	270	10.6	3.5	7.7
					× 260	× 10.2		
					× 150	× 5.9		
SPV-50U-(C)	3kgf/cm ²	Cylinder	550kg/hr	2	270	10.6	3.8	8.4
					× 260	× 10.2		
					× 150	× 5.9		

Notes:1) Above maximum passing rate is based on pellet material of 0.65kg/L(5.5lb/gal) in bulk density and 3-5mm/0.12~0.2inch in diameter.

2) Power supply: 1Φ, 115 / 230VAC, 50 / 60Hz.

We reserve the right to change specifications without prior notice.